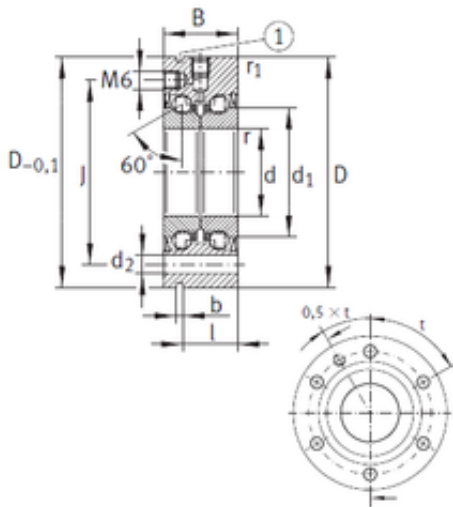




# ZSA S.A. DE C. V. MEXICO



## INA ZKLF50140-2RS Angular Contact Ball Bearings

Bearing No. ZKLF50140-2RS

Size	50x140x54 mm
Bore Diameter	50 mm
Outer Diameter	140 mm
Width	54 mm
d	50 mm
D	140 mm
B	54 mm
C	54 mm
Screw	12
l	45 mm
Angle (?)	60 °
b	3 mm
d1	80 mm
d2	11 mm
r min.	0,6 mm
r1 min.	0,6 mm
J	113 mm
Bolt (G)	M10
Weight	4,7 Kg
Basic dynamic load rating (C)	113 kN
Basic static load rating (C0)	250 kN
Category	Angular Contact Ball Bearings
Inventory	0.0
Manufacturer Name	SCHAEFFLER GROUP

ZKLF50140-2RS Bearing 2D drawings and 3D CAD models



## ZSA S.A.DE C. V. MEXICO

Minimum Buy Quantity	N/A
Weight / Kilogram	5.628
EAN	4012802078862
Product Group	B00152
Enclosure	2 Seals
Flush Ground	No
Rolling Element	Ball Bearing
Number of Rows of Balls	Double Row
Precision Class	ABEC 1   ISO P0
Maximum Capacity / Filling Slot	No
Snap Ring	Yes
Cage Material	Plastic
Contact Angle	60 Degree
Internal Clearance	C0-Medium
Number of Bearings	1 (Single)
Inch - Metric	Metric
Long Description	50MM Bore; 140MM Outside Diameter; 54MM Width; 2 Seals; No Flush Ground; Ball Bearing; Double Row of Balls; ABEC 1   ISO P0; No Filling Slot; Yes Snap Ring; C0-Medium; Plastic Cage; 60 Degree; 1 (Sing
Other Features	With Fixing Holes   With Snap Ring Groove
Category	Angular Contact Ball Bearing
UNSPSC	31171531
Harmonized Tariff Code	8482.10.50.28
Noun	Bearing
Keyword String	Angular Contact
Manufacturer URL	<a href="http://www.ina.com">http://www.ina.com</a>
Weight / LBS	10.36171



## ZSA S.A.DE C. V. MEXICO

Outside Diameter	5.512 Inch   140 Millimeter
Width	2.126 Inch   54 Millimeter
Bore	1.969 Inch   50 Millimeter