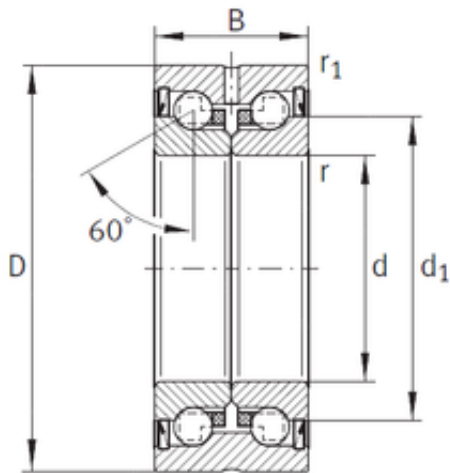




ZSA S.A. DE C. V. MEXICO



INA ZKLN4075-2RS Angular Contact Ball Bearings

Bearing No. ZKLN4075-2RS

ZKLN4075-2RS Bearing 2D drawings and 3D CAD models

Size	40x75x34 mm
Bore Diameter	40 mm
Outer Diameter	75 mm
Width	34 mm
d	40 mm
D	75 mm
B	34 mm
C	34 mm
Angle (?)	60 °
d1	58 mm
r min.	0,3 mm
r1 min.	0,6 mm
Weight	0,61 Kg
Basic dynamic load rating (C)	43 000 kN
Basic static load rating (C0)	101 000 kN
Category	Angular Contact Ball Bearings
Inventory	0.0
Manufacturer Name	SCHAEFFLER GROUP
Minimum Buy Quantity	N/A
Weight / Kilogram	0
EAN	4012802079067
Product Group	L00280
Enclosure	2 Seals
Flush Ground	No



ZSA S.A.DE C. V. MEXICO

Rolling Element	Ball Bearing
Number of Rows of Balls	Double Row
Precision Class	ABEC 1 ISO P0
Maximum Capacity / Filling Slot	No
Snap Ring	No
Cage Material	Plastic
Contact Angle	60 Degree
Internal Clearance	C0-Medium
Number of Bearings	1 (Single)
Inch - Metric	Metric
Long Description	40MM Bore; 75MM Outside Diameter; 34MM Width; 2 Seals; No Flush Ground; Ball Bearing; Double Row of Balls; ABEC 1 ISO P0; No Filling Slot; No Snap Ring; C0-Medium; Plastic Cage; 60 Degree; 1 (Single)
Other Features	With Fixing Holes
Category	Angular Contact Ball Bearing
UNSPSC	31171531
Harmonized Tariff Code	8482.10.50.28
Noun	Bearing
Keyword String	Angular Contact
Manufacturer URL	http://www.ina.com
Manufacturer Item Number	ZKLN4075-2RS
Weight / LBS	1.6104
Width	1.339 Inch 34 Millimeter
Bore	1.575 Inch 40 Millimeter
Outside Diameter	2.953 Inch 75 Millimeter