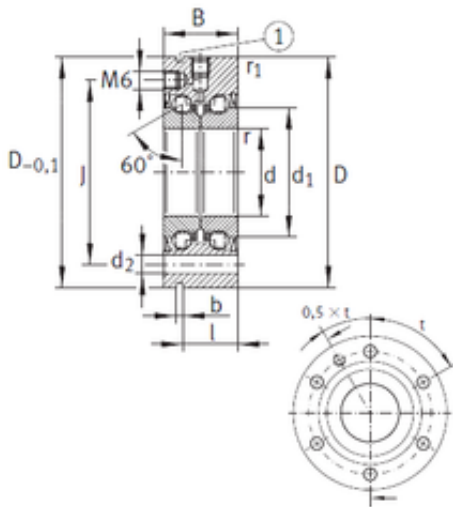




# ZSA S.A. DE C. V. MEXICO



## INA ZKLF40115-2RS Angular Contact Ball Bearings

Bearing No. ZKLF40115-2RS

Size	40x115x46 mm
Bore Diameter	40 mm
Outer Diameter	115 mm
Width	46 mm
d	40 mm
D	115 mm
B	46 mm
C	46 mm
Screw	12
l	36 mm
Angle (?)	60 °
b	3 mm
d1	65 mm
d2	8,8 mm
r min.	0,6 mm
r1 min.	0,6 mm
J	94 mm
Bolt (G)	M8
Weight	2,2 Kg
Basic dynamic load rating (C)	72 kN
Basic static load rating (C0)	149 kN
Category	Angular Contact Ball Bearings
Inventory	0.0
Manufacturer Name	SCHAEFFLER GROUP

ZKLF40115-2RS Bearing 2D drawings and 3D CAD models



## ZSA S.A. DE C. V. MEXICO

Minimum Buy Quantity	N/A
Weight / Kilogram	3.053
EAN	4012802078824
Product Group	B00152
Enclosure	2 Seals
Flush Ground	No
Rolling Element	Ball Bearing
Number of Rows of Balls	Double Row
Precision Class	ABEC 1   ISO P0
Maximum Capacity / Filling Slot	No
Snap Ring	Yes
Cage Material	Plastic
Contact Angle	60 Degree
Internal Clearance	C0-Medium
Number of Bearings	1 (Single)
Inch - Metric	Metric
Long Description	40MM Bore; 115MM Outside Diameter; 46MM Width; 2 Seals; No Flush Ground; Ball Bearing; Double Row of Balls; ABEC 1   ISO P0; No Filling Slot; Yes Snap Ring; C0-Medium; Plastic Cage; 60 Degree; 1 (Sing
Other Features	With Fixing Holes   With Snap Ring Groove
Category	Angular Contact Ball Bearing
UNSPSC	31171531
Harmonized Tariff Code	8482.10.50.28
Noun	Bearing
Keyword String	Angular Contact
Manufacturer URL	<a href="http://www.ina.com">http://www.ina.com</a>
Weight / LBS	4.85016



## ZSA S.A.DE C. V. MEXICO

Width	1.811 Inch   46 Millimeter
Bore	1.575 Inch   40 Millimeter
Outside Diameter	4.528 Inch   115 Millimeter