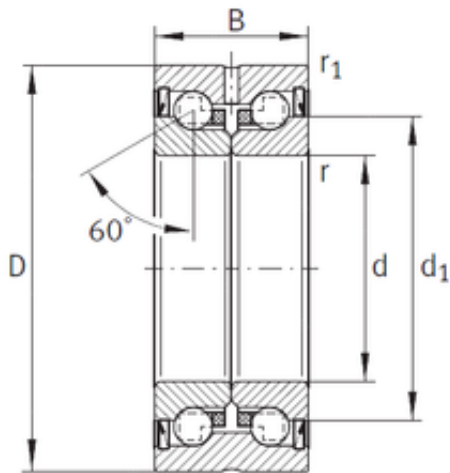




## ZSA S.A. DE C. V. MEXICO



### INA ZKLN5090-2RS Angular Contact Ball Bearings

Bearing No. ZKLN5090-2RS

ZKLN5090-2RS Bearing 2D drawings and 3D CAD models

Size	50x90x34 mm
Bore Diameter	50 mm
Outer Diameter	90 mm
Width	34 mm
d	50 mm
D	90 mm
B	34 mm
C	34 mm
Angle (?)	60 °
d1	72 mm
r min.	0,3 mm
r1 min.	0,6 mm
Weight	0,88 Kg
Basic dynamic load rating (C)	46 500 kN
Basic static load rating (C0)	126 000 kN
Category	Angular Contact Ball Bearings
Inventory	0.0
Manufacturer Name	SCHAEFFLER GROUP
Minimum Buy Quantity	N/A
Weight / Kilogram	1.054
EAN	4012802079128
Product Group	B00152
Enclosure	2 Seals
Flush Ground	No



## ZSA S.A.DE C. V. MEXICO

Rolling Element	Ball Bearing
Number of Rows of Balls	Double Row
Precision Class	ABEC 1   ISO P0
Maximum Capacity / Filling Slot	No
Snap Ring	No
Cage Material	Plastic
Contact Angle	60 Degree
Internal Clearance	C0-Medium
Number of Bearings	1 (Single)
Inch - Metric	Metric
Long Description	50MM Bore; 90MM Outside Diameter; 34MM Width; 2 Seals; No Flush Ground; Ball Bearing; Double Row of Balls; ABEC 1   ISO P0; No Filling Slot; No Snap Ring; C0-Medium; Plastic Cage; 60 Degree; 1 (Single)
Other Features	With Fixing Holes
Category	Angular Contact Ball Bearing
UNSPSC	31171531
Harmonized Tariff Code	8482.10.50.28
Noun	Bearing
Keyword String	Angular Contact
Manufacturer URL	<a href="http://www.ina.com">http://www.ina.com</a>
Weight / LBS	1.94007
Width	1.339 Inch   34 Millimeter
Bore	1.969 Inch   50 Millimeter
Outside Diameter	3.543 Inch   90 Millimeter