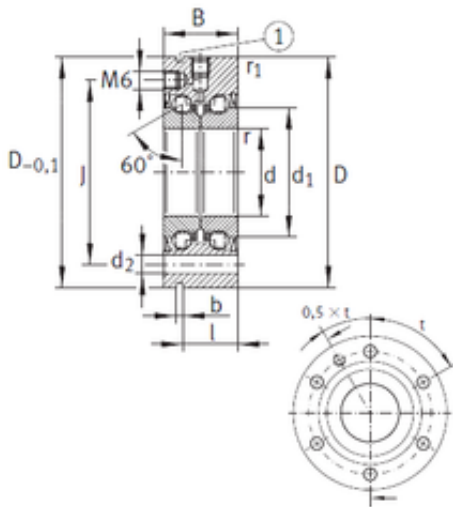




ZSA S.A. DE C. V. MEXICO



INA ZKLF1762-2RS Angular Contact Ball Bearings

Bearing No. ZKLF1762-2RS

Size	17x62x25 mm
Bore Diameter	17 mm
Outer Diameter	62 mm
Width	25 mm
d	17 mm
D	62 mm
B	25 mm
C	25 mm
Screw	3
l	17 mm
Angle (?)	60 °
b	3 mm
d1	30 mm
d2	6,8 mm
r min.	0,3 mm
r1 min.	0,6 mm
J	48 mm
Bolt (G)	M6
Weight	0,45 Kg
Basic dynamic load rating (C)	18,8 kN
Basic static load rating (C0)	31 kN
Category	Angular Contact Ball Bearings
Inventory	0.0
Manufacturer Name	SCHAEFFLER GROUP

ZKLF1762-2RS Bearing 2D drawings and 3D CAD models



ZSA S.A.DE C. V. MEXICO

Minimum Buy Quantity	N/A
Weight / Kilogram	0.539
EAN	0401282113532
Product Group	B00308
Enclosure	2 Seals
Flush Ground	No
Rolling Element	Ball Bearing
Number of Rows of Balls	Double Row
Precision Class	ABEC 1 ISO P0
Maximum Capacity / Filling Slot	No
Snap Ring	Yes
Cage Material	Plastic
Contact Angle	60 Degree
Internal Clearance	C0-Medium
Number of Bearings	1 (Single)
Inch - Metric	Metric
Long Description	17MM Bore; 62MM Outside Diameter; 25MM Width; 2 Seals; No Flush Ground; Ball Bearing; Double Row of Balls; ABEC 1 ISO P0; No Filling Slot; Yes Snap Ring; C0-Medium; Plastic Cage; 60 Degree; 1 (Singl
Other Features	With Fixing Holes With Snap Ring Groove
Category	Angular Contact Ball Bearing
UNSPSC	31171531
Harmonized Tariff Code	8482.10.50.28
Noun	Bearing
Keyword String	Angular Contact
Manufacturer URL	http://www.ina.com
Weight / LBS	0.99208



ZSA S.A.DE C. V. MEXICO

Width	0.984 Inch 25 Millimeter
Outside Diameter	2.441 Inch 62 Millimeter
Bore	0.669 Inch 17 Millimeter