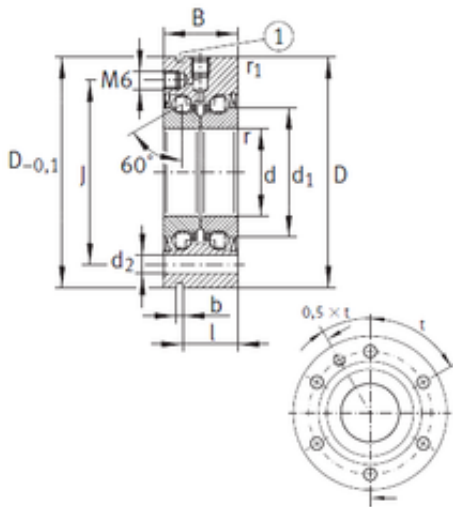




ZSA S.A. DE C. V. MEXICO



INA ZKLF40115-2Z Angular Contact Ball Bearings

Bearing No. ZKLF40115-2Z

ZKLF40115-2Z Bearing 2D drawings and 3D CAD models

| | |
|-------------------------------|-------------------------------|
| Size | 40x115x46 mm |
| Bore Diameter | 40 mm |
| Outer Diameter | 115 mm |
| Width | 46 mm |
| d | 40 mm |
| D | 115 mm |
| B | 46 mm |
| C | 46 mm |
| Screw | 12 |
| l | 36 mm |
| Angle (?) | 60 ° |
| b | 3 mm |
| d1 | 65 mm |
| d2 | 8,8 mm |
| r min. | 0,6 mm |
| r1 min. | 0,6 mm |
| J | 94 mm |
| Bolt (G) | M8 |
| Weight | 2,2 Kg |
| Basic dynamic load rating (C) | 72 kN |
| Basic static load rating (C0) | 149 kN |
| Category | Angular Contact Ball Bearings |
| Inventory | 0.0 |
| Manufacturer Name | SCHAEFFLER GROUP |



ZSA S.A.DE C. V. MEXICO

| | |
|---------------------------------|--|
| Minimum Buy Quantity | N/A |
| Weight / Kilogram | 3.056 |
| EAN | 4012802078831 |
| Product Group | B00152 |
| Enclosure | 2 Metal Shields |
| Flush Ground | No |
| Rolling Element | Ball Bearing |
| Number of Rows of Balls | Double Row |
| Precision Class | ABEC 1 ISO P0 |
| Maximum Capacity / Filling Slot | No |
| Snap Ring | Yes |
| Cage Material | Plastic |
| Contact Angle | 60 Degree |
| Internal Clearance | C0-Medium |
| Number of Bearings | 1 (Single) |
| Inch - Metric | Metric |
| Long Description | 40MM Bore; 115MM Outside Diameter; 46MM Width; 2 Metal Shields; No Flush Ground; Ball Bearing; Double Row of Balls; ABEC 1 ISO P0; No Filling Slot; Yes Snap Ring; C0-Medium; Plastic Cage; 60 Degree; |
| Other Features | With Fixing Holes With Snap Ring Groove |
| Category | Angular Contact Ball Bearing |
| UNSPSC | 31171531 |
| Harmonized Tariff Code | 8482.10.50.28 |
| Noun | Bearing |
| Keyword String | Angular Contact |
| Manufacturer URL | http://www.ina.com |
| Weight / LBS | 4.85016 |



ZSA S.A.DE C. V. MEXICO

| | |
|------------------|-----------------------------|
| Width | 1.811 Inch 46 Millimeter |
| Bore | 1.575 Inch 40 Millimeter |
| Outside Diameter | 4.528 Inch 115 Millimeter |