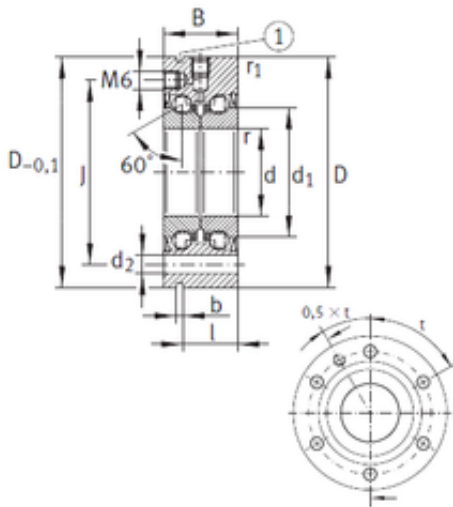




ZSA S.A. DE C. V. MEXICO



INA ZKLF30100-2RS Angular Contact Ball Bearings

Bearing No. ZKLF30100-2RS

Size	30x100x38 mm
Bore Diameter	30 mm
Outer Diameter	100 mm
Width	38 mm
d	30 mm
D	100 mm
B	38 mm
C	38 mm
Screw	8
l	30 mm
Angle (?)	60 °
b	3 mm
d1	51 mm
d2	8,8 mm
r min.	0,3 mm
r1 min.	0,6 mm
J	80 mm
Bolt (G)	M8
Weight	1,63 Kg
Basic dynamic load rating (C)	59 kN
Basic static load rating (C0)	108 kN
Category	Angular Contact Ball Bearings
Inventory	0.0
Manufacturer Name	SCHAEFFLER GROUP

ZKLF30100-2RS Bearing 2D drawings and 3D CAD models



ZSA S.A. DE C. V. MEXICO

Minimum Buy Quantity	N/A
Weight / Kilogram	0
EAN	4012802113549
Product Group	L00280
Enclosure	2 Seals
Flush Ground	No
Rolling Element	Ball Bearing
Number of Rows of Balls	Double Row
Precision Class	ABEC 1 ISO P0
Maximum Capacity / Filling Slot	No
Snap Ring	Yes
Cage Material	Plastic
Contact Angle	60 Degree
Internal Clearance	C0-Medium
Number of Bearings	1 (Single)
Inch - Metric	Metric
Long Description	30MM Bore; 100MM Outside Diameter; 38MM Width; 2 Seals; No Flush Ground; Ball Bearing; Double Row of Balls; ABEC 1 ISO P0; No Filling Slot; Yes Snap Ring; C0-Medium; Plastic Cage; 60 Degree; 1 (Sing
Other Features	With Fixing Holes With Snap Ring Groove
Category	Angular Contact Ball Bearing
UNSPSC	31171531
Harmonized Tariff Code	8482.10.50.28
Noun	Bearing
Keyword String	Angular Contact
Manufacturer URL	http://www.ina.com
Manufacturer Item Number	ZKLF30100-2RS



ZSA S.A.DE C. V. MEXICO

Weight / LBS	4.3032
Width	1.496 Inch 38 Millimeter
Bore	1.181 Inch 30 Millimeter
Outside Diameter	3.937 Inch 100 Millimeter