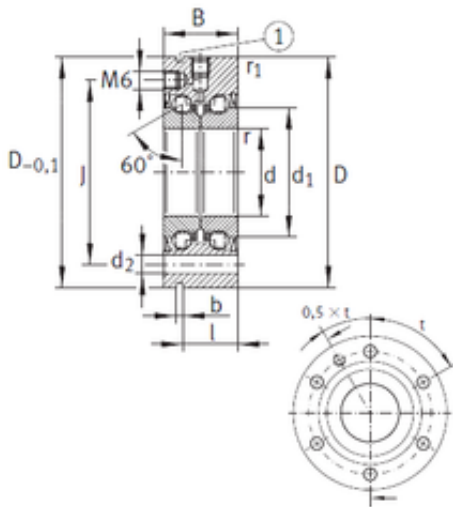




# ZSA S.A. DE C. V. MEXICO



## INA ZKLF1255-2RS Angular Contact Ball Bearings

Bearing No. ZKLF1255-2RS

ZKLF1255-2RS Bearing 2D drawings and 3D CAD models

Size	12x55x25 mm
Bore Diameter	12 mm
Outer Diameter	55 mm
Width	25 mm
d	12 mm
D	55 mm
B	25 mm
C	25 mm
Screw	3
l	17 mm
Angle (?)	60 °
b	3 mm
d1	25 mm
d2	6,8 mm
r min.	0,3 mm
r1 min.	0,6 mm
J	42 mm
Bolt (G)	M6
Weight	0,37 Kg
Basic dynamic load rating (C)	16,9 kN
Basic static load rating (C0)	24,7 kN
Category	Angular Contact Ball Bearings
Inventory	0.0
Manufacturer Name	SCHAEFFLER GROUP



## ZSA S.A. DE C. V. MEXICO

Minimum Buy Quantity	N/A
Weight / Kilogram	0
EAN	4012802078596
Product Group	L00280
Enclosure	2 Seals
Flush Ground	No
Rolling Element	Ball Bearing
Number of Rows of Balls	Double Row
Precision Class	ABEC 1   ISO P0
Maximum Capacity / Filling Slot	No
Snap Ring	Yes
Cage Material	Plastic
Contact Angle	60 Degree
Internal Clearance	C0-Medium
Number of Bearings	1 (Single)
Inch - Metric	Metric
Long Description	12MM Bore; 55MM Outside Diameter; 25MM Width; 2 Seals; No Flush Ground; Ball Bearing; Double Row of Balls; ABEC 1   ISO P0; No Filling Slot; Yes Snap Ring; C0-Medium; Plastic Cage; 60 Degree; 1 (Singl
Other Features	With Fixing Holes   With Snap Ring Groove
Category	Angular Contact Ball Bearing
UNSPSC	31171531
Harmonized Tariff Code	8482.10.50.28
Noun	Bearing
Keyword String	Angular Contact
Manufacturer URL	<a href="http://www.ina.com">http://www.ina.com</a>
Manufacturer Item Number	ZKLF1255-2RS



## ZSA S.A.DE C. V. MEXICO

Weight / LBS	0.9768
Width	0.984 Inch   25 Millimeter
Bore	0.472 Inch   12 Millimeter
Outside Diameter	2.165 Inch   55 Millimeter